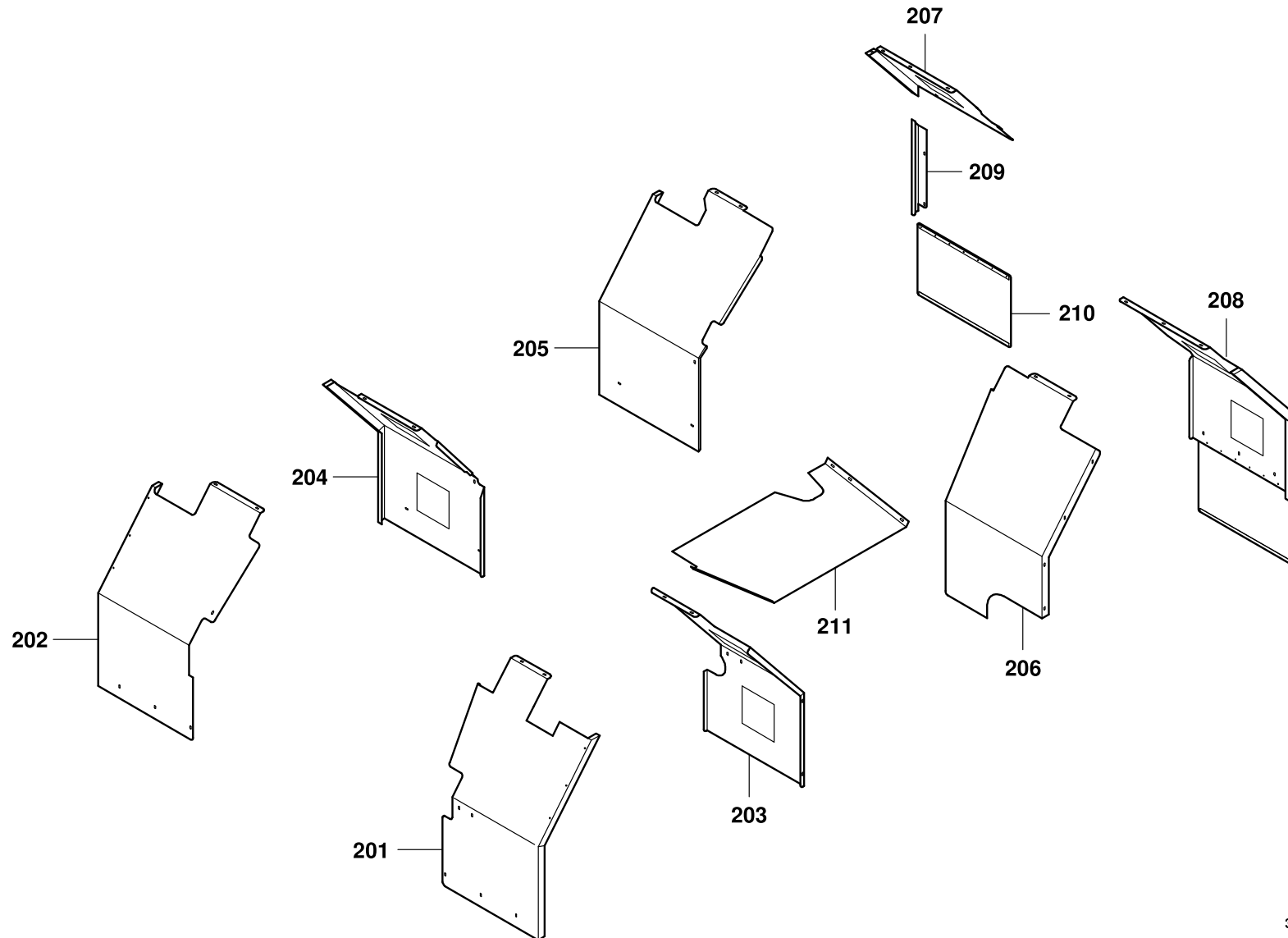


GROVE[®]SPRITZBLECHE 2,55M
PROTECTING SHEETS 2,55MBILDTADEL
PICTORIAL DISPLAY

04.13

3202815-ETL A

1/1

**GMK 3050
BE 503
G 034**

3202815-A-BL01-1211-3060